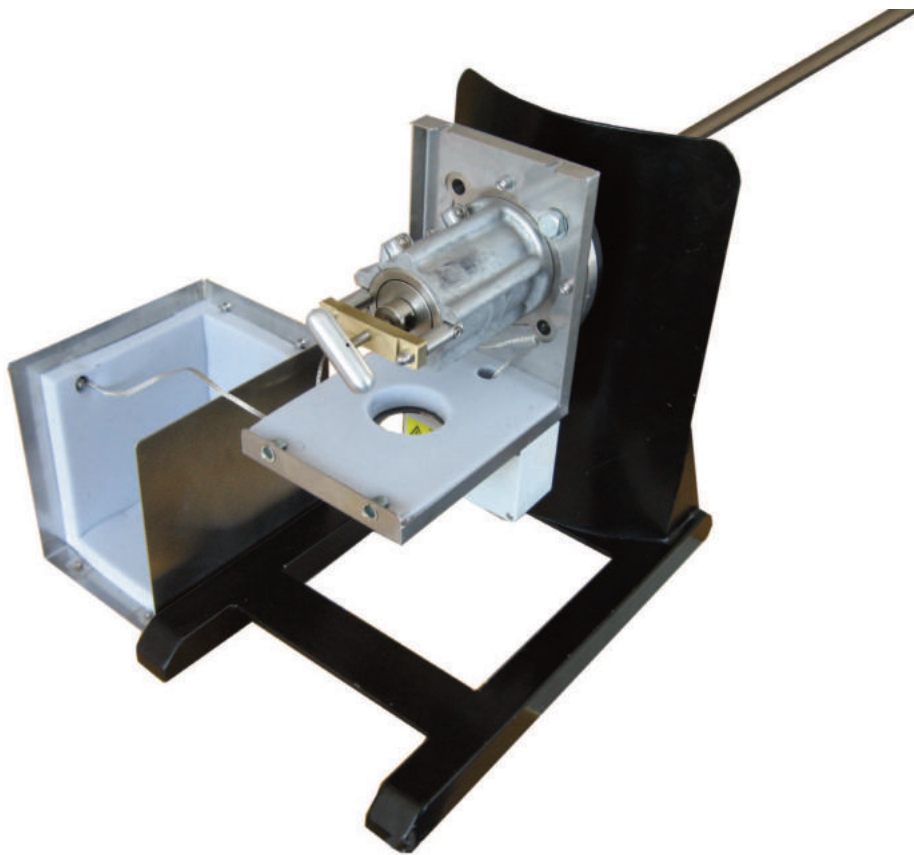


JES-301L Gas Sampling Probe



Gas Sampling Probes

Heated Sample Lines

Sample Gas Coolers

Condensate Treatment

Accessories

Gas Conditioning Systems

Sample Gas Converters

APPLICATION

- Representative continuous gas sampling in processes containing dust and humidity
- Extractive gas analysis
- Emission (CEMS) and process monitoring
- Removal of dust from the sample gas

BENEFITS

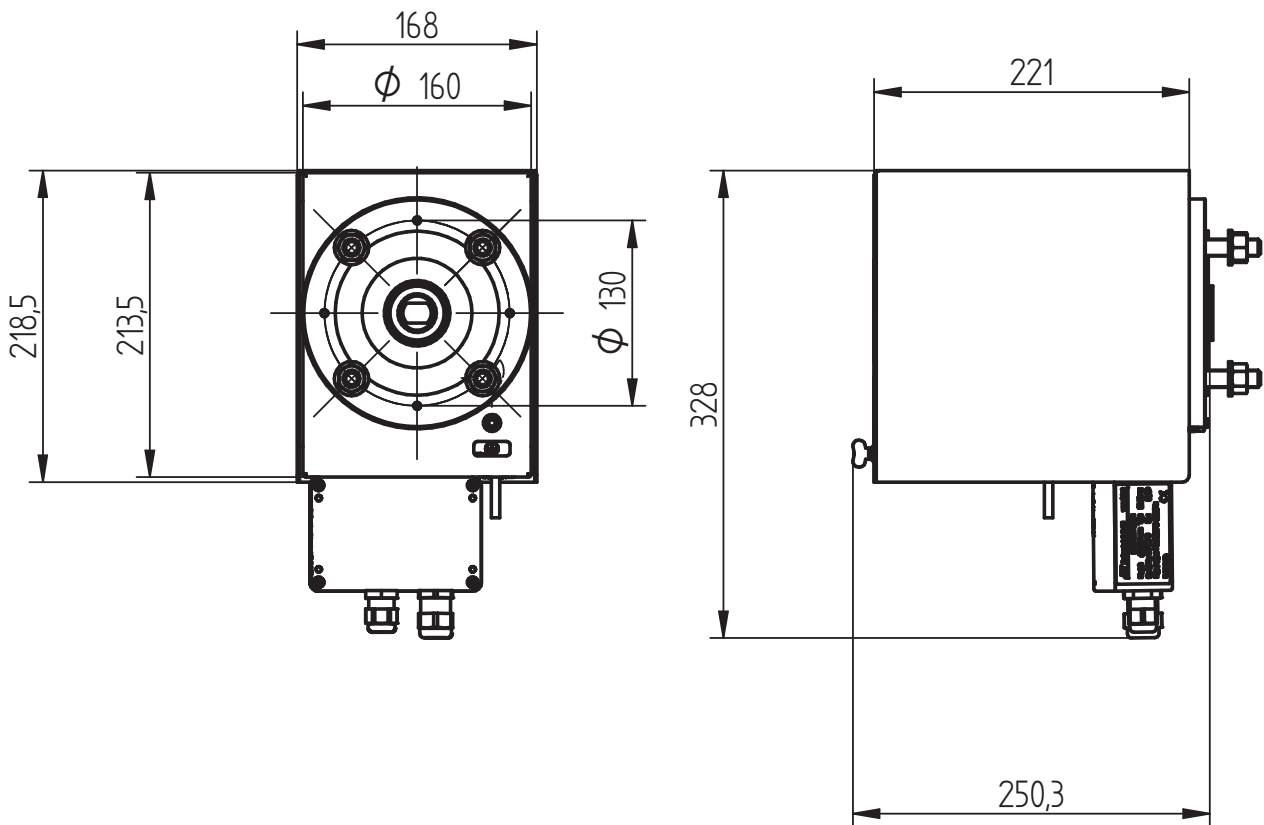
- No condensation or chemical reactions of sample gas
- Convenient filter replacement
- Low maintenance
- Easy start-up
- Reliable protection of the analyzer system

FEATURES

- Homogeneous heating without cold spots
- Filtration from outside to inside
- Filter element change without tools
- Self limiting PTC heater
- Temperature status contact
- Weather protection housing
- Wide range of accessories
- Calibration port (option)

DIMENSIONS

Dimensions in mm



ORDER CODE

Model	Filter		Options			Flange	
	2 μ m ceramic	Calibration port with non-return valve	Calibration port without non-return valve	Weather protection housing	Power supply 115 VAC to 230 VAC 50/60 Hz	DN65/PN6	2" ANSI (Z)
JES-301L	X			X	X	35.03000	35.03030
JES-301LC	X	X		X	X	35.03010	35.03040
JES-301LA	X		X	X	X	35.03020	35.03050

Scope of delivery: sampling probe, mounting material, flange gasket, gasket for sampling pipe, operating manual

TECHNICAL DATA

Model

JES-301L

Description	stationary gas sampling probe
-------------	-------------------------------

Operation

Temperature	approx. 180 °C
Low temperature threshold	150 °C
Operating pressure	max. 2 bara
Mounting position	5° to 15° incline (recommended), torsion angle max. 45°
Heating-up time	30 min
Ambient temperature	-20 °C to 60 °C
Dust load	max. 1 g/m ³ , flow dependent

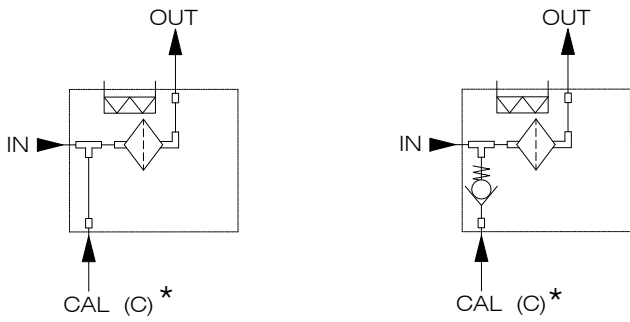
Construction

Dimensions over all (W x H x D)	168 x 331 x 249 mm
Dimensions connection box (W x H x D)	120 x 160 x 90 mm
Filter element	2 µm ceramic
Active filter surface	83 cm ²
Mounting flange	DN65, PN6; form A according to EN1092-1; SS316L or 2" ANSI 150 lbs; according to ASME B16.5
Sample gas inlet	G 3/4" female thread
Sample gas outlet	1/8" NPT female thread
Calibration gas connection (option)	pipe 6 mm, SS316
Gas wetted materials	SS316L, ceramic, Viton®
Protection class	IP43 according to EN60529
Weight	9 kg
Weather protection housing	SS304, thermal insulated, colour stainless steel natural
Approvals / Signs	CE

Electrics

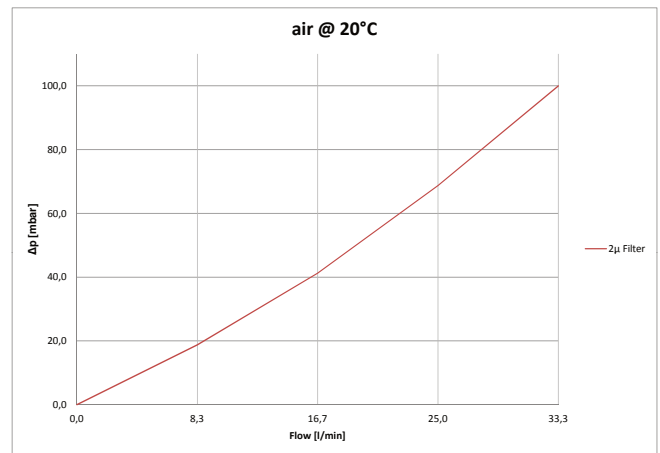
Power supply	115 to 230 VAC 50/60 Hz
Power consumption	approx. 300 VA
Heater element	PTC self limited
Electrical connection	spring type terminals, clamping range 0,08 to 2,5 mm ²
Fusing	external on installation site, fuse characteristic C: 230 VAC 6 A; 115 VAC 10 A
Protection class junction box	IP65
Switching capacity status contact (volt free)	min. 24 VDAC / 50 mA, max. 230 VAC / 5A cosP 0,95
Status contact function	normally open contact, failsafe operation

GAS FLOW DIAGRAM



*... not included in all models

**Pressure characteristics in dependence of the gas flow
(for new filter element and 20 °C)**



ACCESSORIES

Sampling pipe

35.03060	Sampling pipe for JES-301L, SS316, length 1000 mm, 12 x 1,5 mm, temp. max. 600 °C, G 3/4"o
35.03061	Sampling pipe for JES-301L, SS316, length 2000 mm, 12 x 1,5 mm, temp. max. 600 °C, G 3/4"o

JCT Analysentechnik GmbH offers a wide range of accessories. Please refer to separate data sheets for further information:

- **JES-301 Accessories**

Flange adapters

Accessories for gas connections